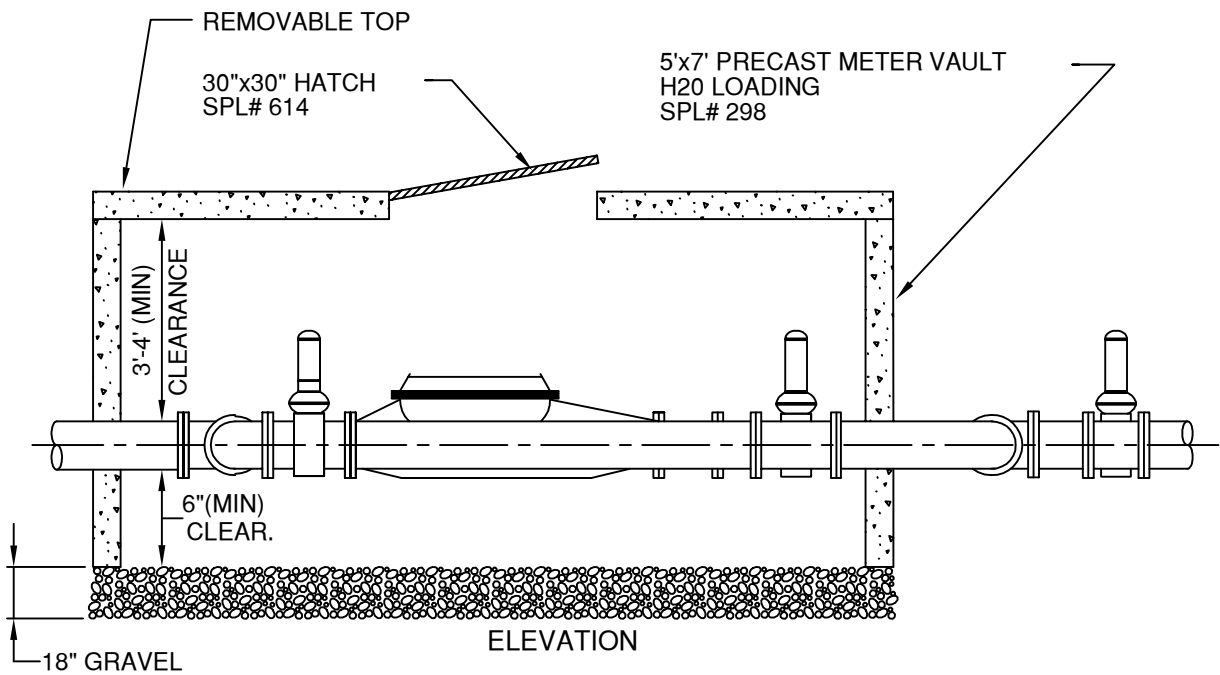


PLAN VIEW



ELEVATION

NO.	NAME	LENGTH
A	OVERALL LENGTH	74 3/4"
B	METER + NIPPLE + FCA	37 1/2"
C	CENTER OF MAINLINE TO OUTSIDE OF BYPASS	17 1/2"
D	CENTERLINE OF MAINLINE TO INSIDE OF VAULT	30"
E	CENTERLINE OF MAINLINE TO INSIDE OF VAULT	30"