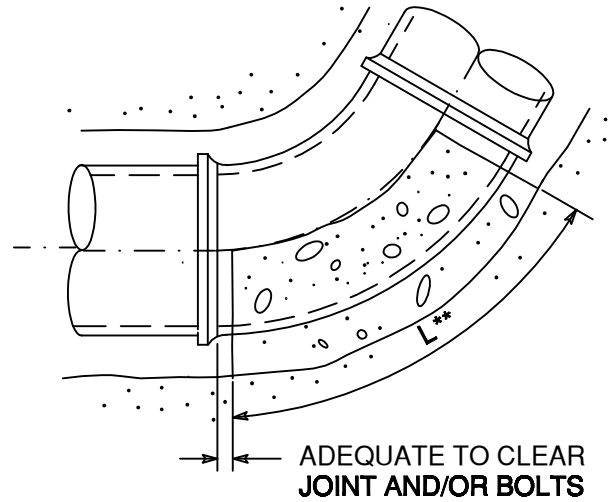
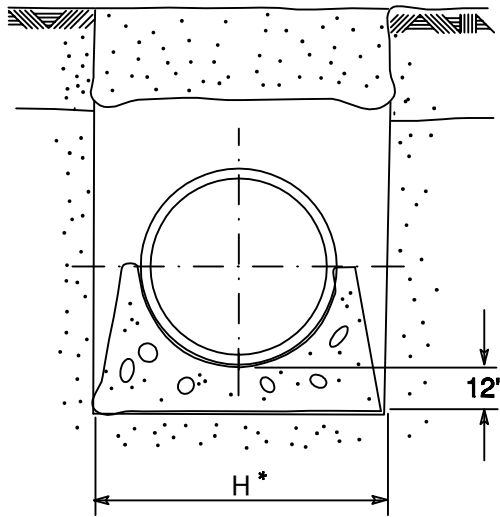
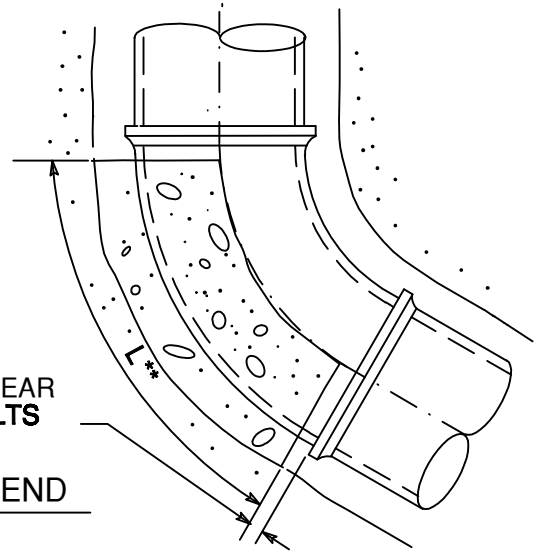


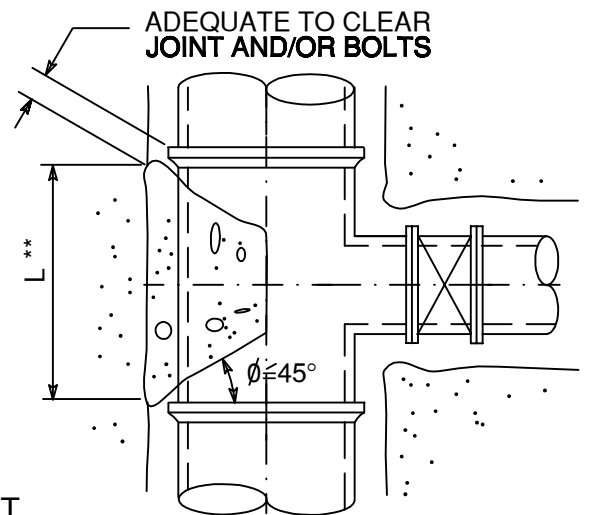
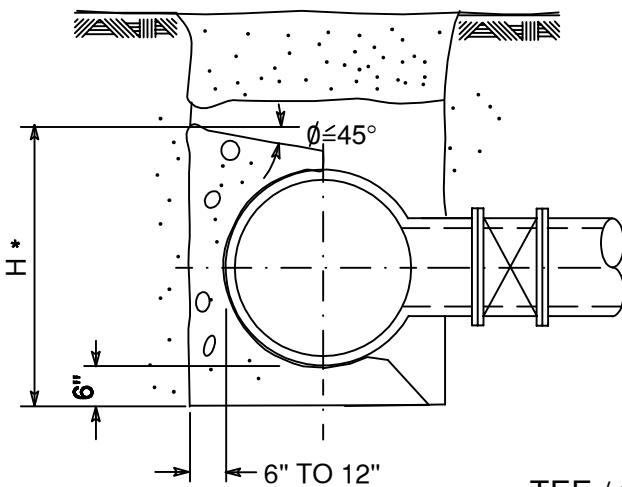
ADEQUATE TO CLEAR
JOINT AND/OR BOLTS

HORIZONTAL BEND



ADEQUATE TO CLEAR
JOINT AND/OR BOLTS

VERTICAL BEND UPWARD



ADEQUATE TO CLEAR
JOINT AND/OR BOLTS

TEE / OUTLET

* THE DIMENSION FOR "H" MUST BE GREATER THAN DIAMETER OF THE PIPE

** LENGTH "L" ALONG THE BEND MUST BE GREATER THAN "H" AND LESS THAN 2 TIMES "H"