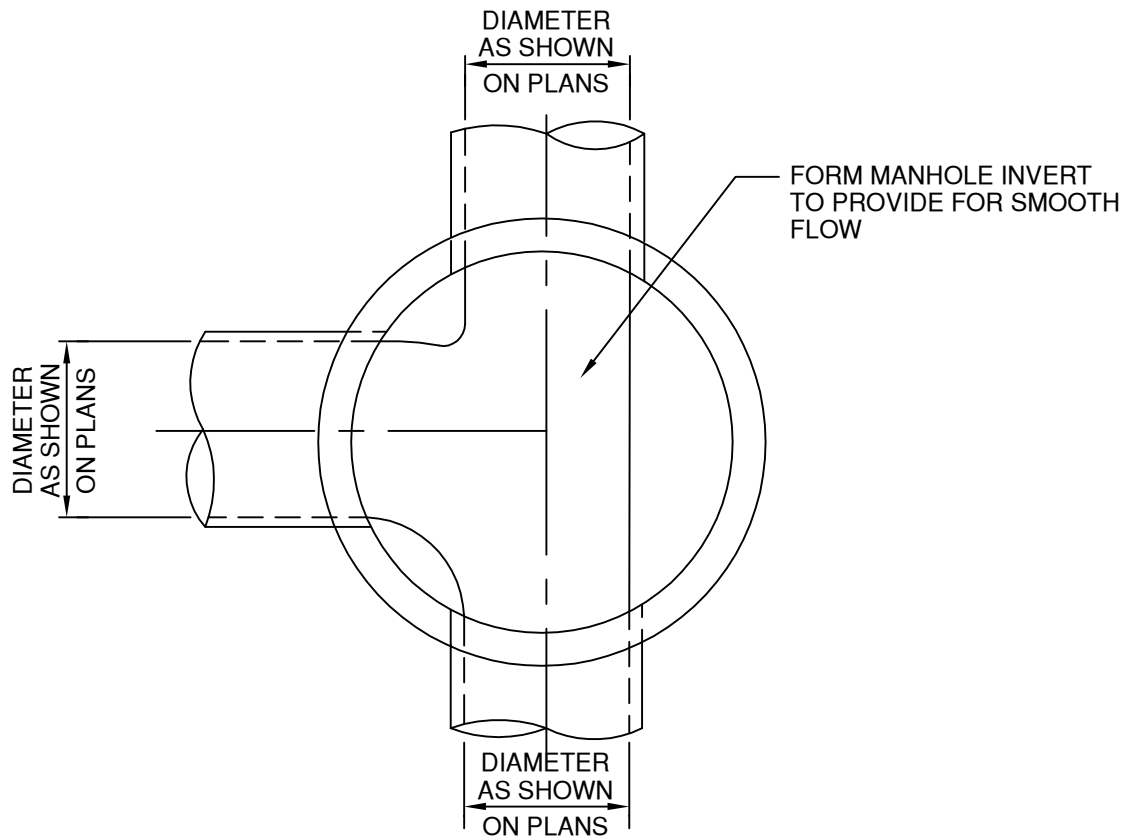


TYPICAL MANHOLE AT ANGLE IN SEWER



TYPICAL JUNCTION MANHOLE