

STANDARD MANHOLE

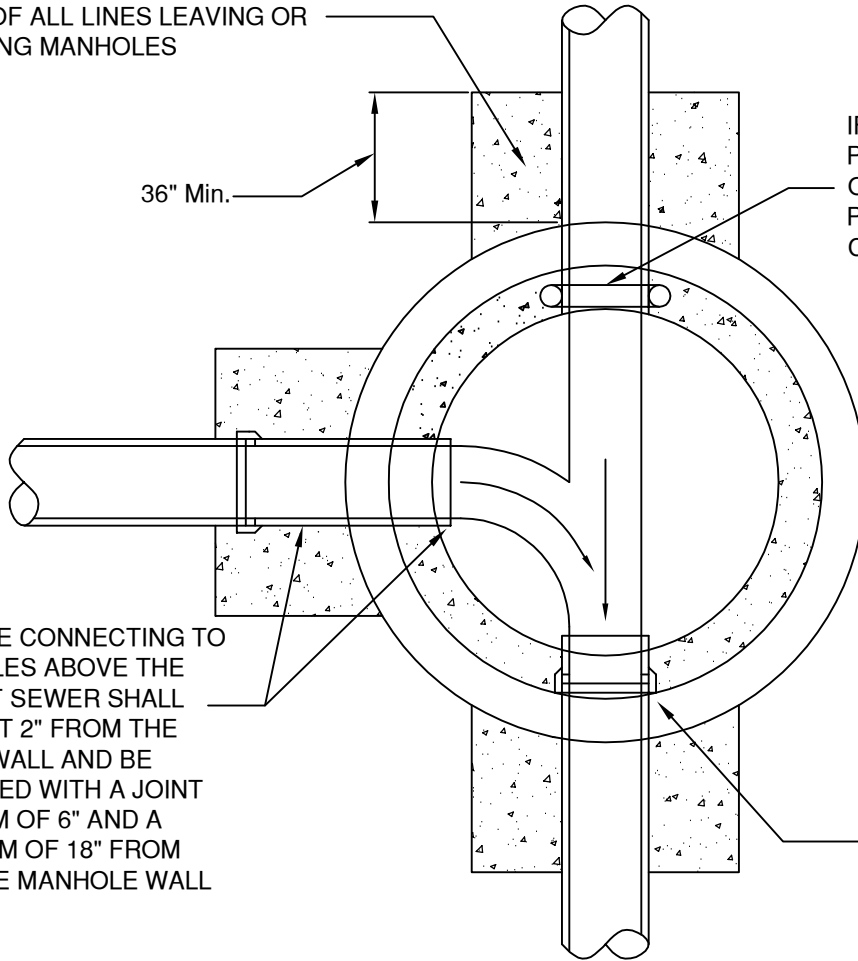
CONCRETE CRADLE TO NEAREST POINT OF ALL LINES LEAVING OR ENTERING MANHOLES

36" Min.

IF PVC PIPE IS USED, PROVIDE RUBBER GASKETS ONE SIZE SMALLER THAN PIPE AT EACH WALL CROSSING OF MANHOLE

THE PIPE CONNECTING TO MANHOLES ABOVE THE LOWEST SEWER SHALL PROJECT 2" FROM THE INSIDE WALL AND BE INSTALLED WITH A JOINT MINIMUM OF 6" AND A MAXIMUM OF 18" FROM OUTSIDE MANHOLE WALL

NO JOINTS FOR PIPE WILL BE ALLOWED WITHIN WALL SECTION



MANHOLE FLOOR PLAN

AUGUST 1998