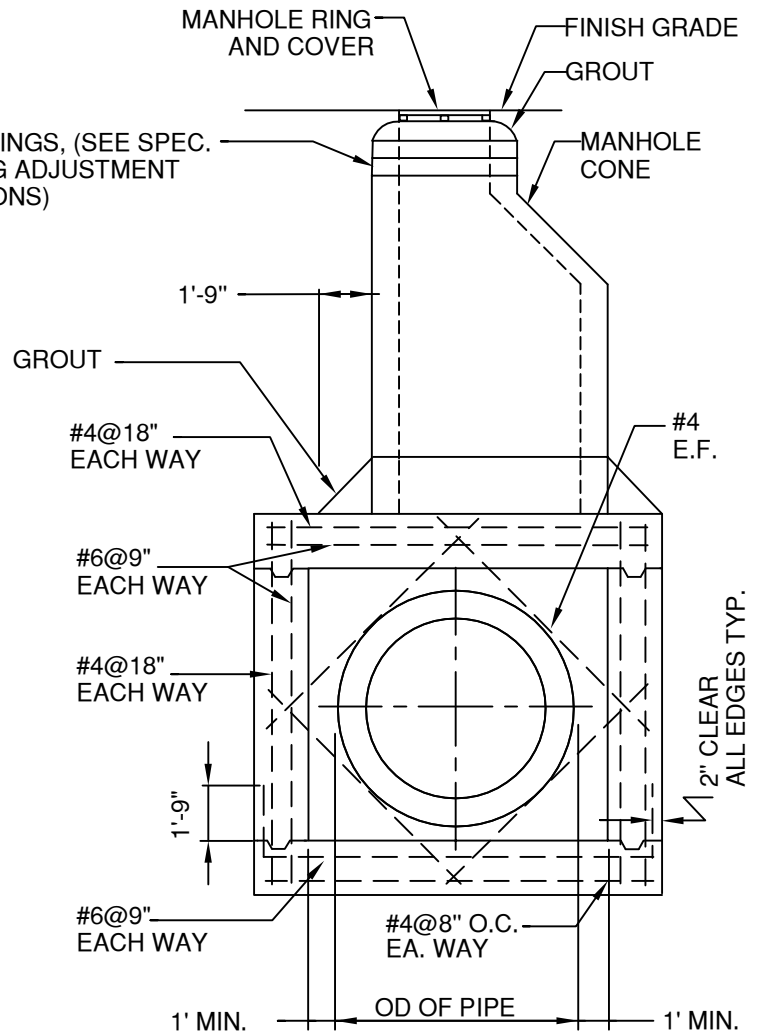
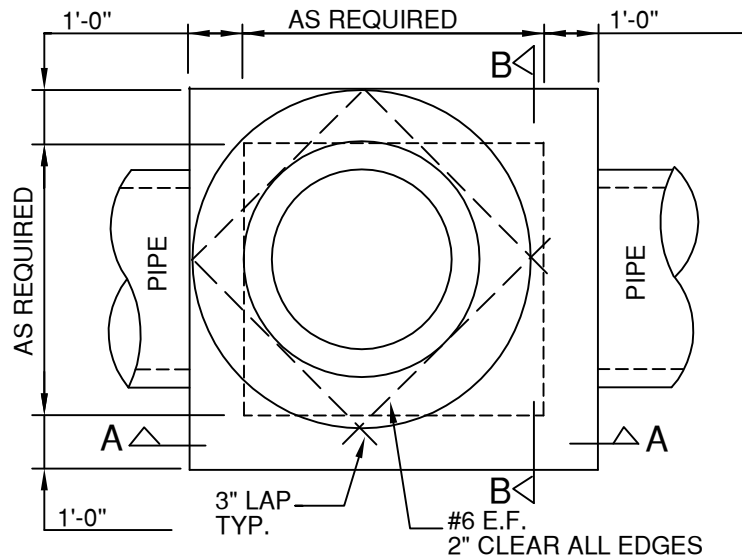


SECTION A-A



SECTION B-B



1. BOX WALLS MUST BE FORMED INSIDE AND OUTSIDE WITH APPROVED MATERIALS.
2. USE CLASS "A" CONCRETE.
3. TYPICAL CAST IN PLACE BOX FOR 30" OR LARGER PIPE.
4. REINFORCING STEEL SHALL MEET STANDARD SPECIFICATION.