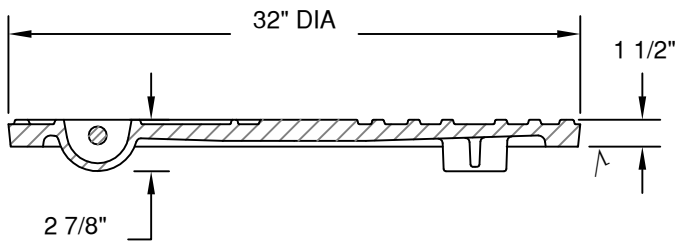
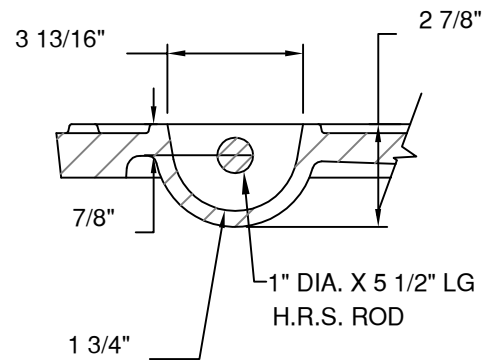


BOTTOM VIEW



CROSS SECTION



PICKBAR DETAIL

- COVER SPECIFICATIONS:
1. EST. WEIGHT - 210 LBS
  2. GRAY IRON
  3. ASTM A48 CL35

√ MACHINED SURFACE



DRAWN BY:  
*H Shadrock*  
APPROVED BY:

STANDARD DRAWING:

**SANITARY SEWER MANHOLE -  
32" COVER**

UPDATED:  
**4-30-03**

SCALE:  
**N.T.S.**

SHEET:  
**1 OF 1**

DRAWING NO.

**332**