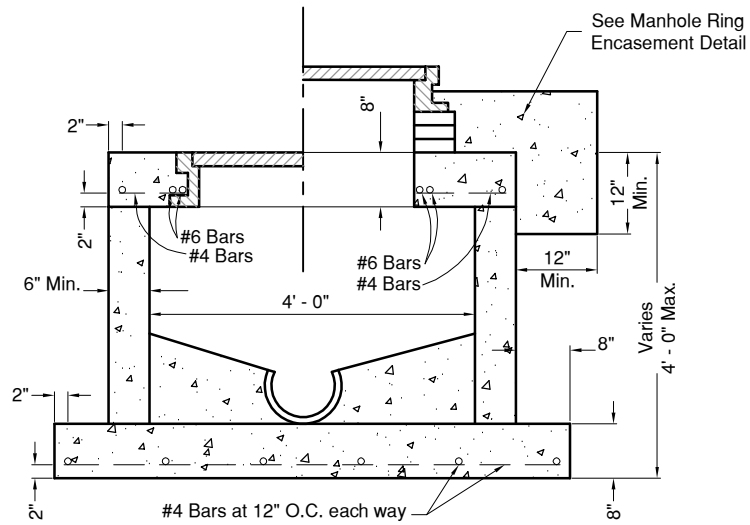


TOP SLAB



**SHALLOW MANHOLE
PRECAST OR MONOLITHIC**

SIZE	A	B*	MANDREL O.D.		RING O.D.	
			PVC (SDR-35)	PVC (SDR-26)	PVC (SDR-35)	PVC (SDR-26)
6"	4.0"	4.5"	5.62	5.50	4.91	4.79
8"	5.5"	6"	7.52	7.37	6.81	6.66
10"	7.0"	7.5"	9.41	9.21	8.70	8.50
12"	8.0"	9"	11.19	10.96	10.48	10.25
15"	10.0"	11"	13.70	13.42	12.99	12.71
18"	12.0"	13.5"	16.75	-----	16.04	-----
21"	14.0"	16"	19.74	-----	19.03	-----
24"	16.0"	18"	22.21	-----	21.50	-----
27"	18.0"	20"	25.03	-----	24.32	-----

* MINIMUM LENGTH

Note:

PVC pipes and fittings six inches (6") to fifteen inches (15") in diameter shall conform to ASTM D-3034.

PVC pipes and fittings eighteen inches (18") to twenty-seven (27") in diameter shall conform to ASTM F-679.

This information is provided as a reference. All deflection testing shall be done in accordance with TCEQ Chapter 317.

CHART



DRAWN BY:
H Shadrock
APPROVED BY:

STANDARD DRAWING:

**SHALLOW MANHOLE: PRECAST OR
MONOLITHIC, TOP SLAB & CHART**

UPDATED:
5-2-03

SCALE:
N.T.S.

SHEET:
1 OF 1

DRAWING NO.

335