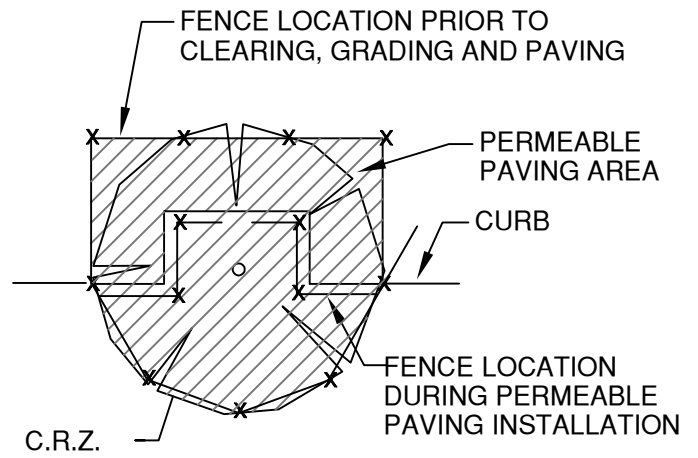
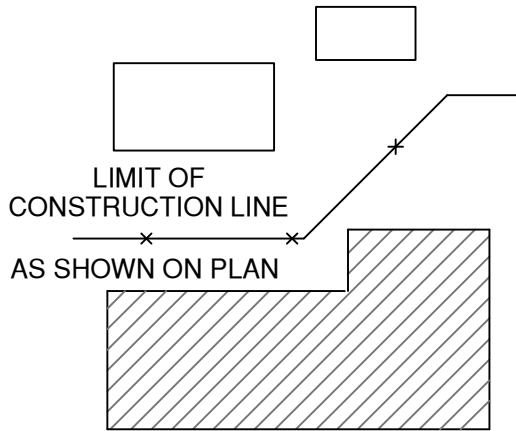


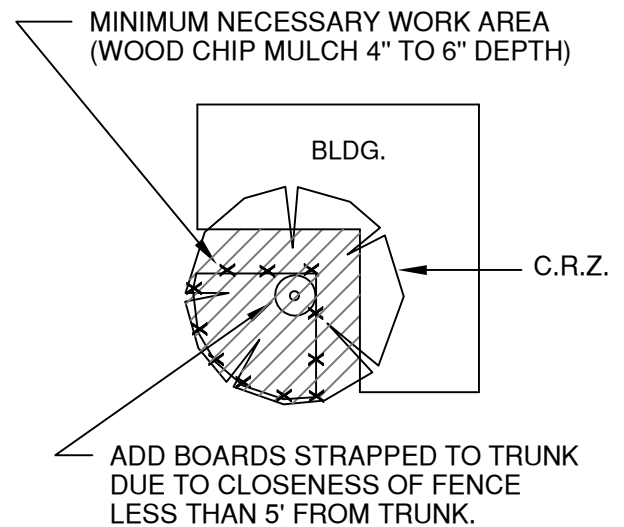
LINEAR CONSTRUCTION THROUGH TREES



TREES IN PAVING AREA

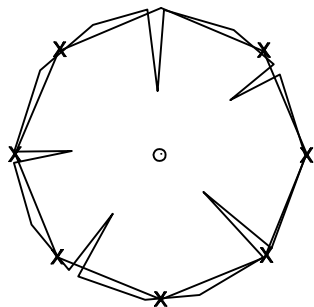


NATURAL AREAS

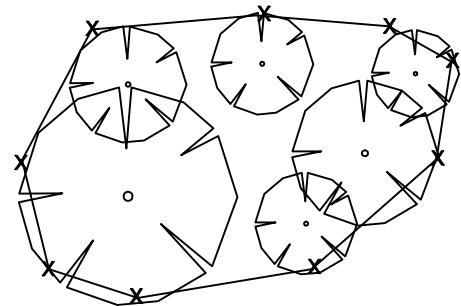


TREES NEAR CONSTRUCTION ACTIVITY

CRITICAL ROOT ZONE (C.R.Z.)
RADIUS = 1 FT. PER INCH
OF TRUNK DIAMETER



INDIVIDUAL TREE



GROUP OF TREES