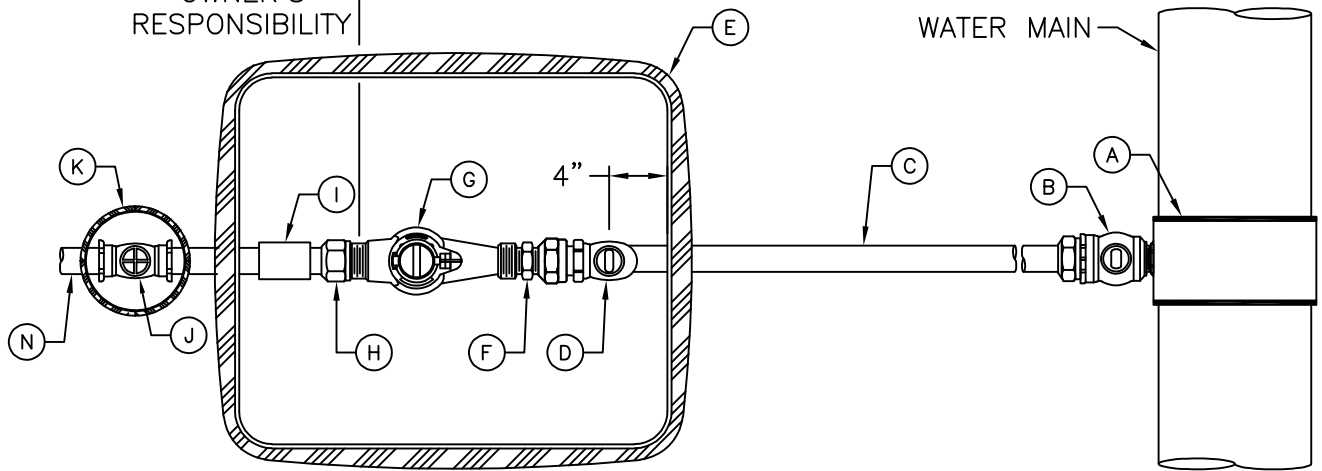
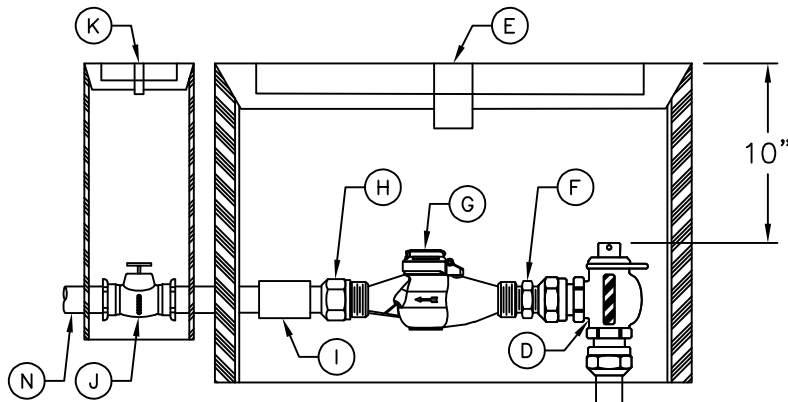


PROPERTY
OWNER'S
RESPONSIBILITY

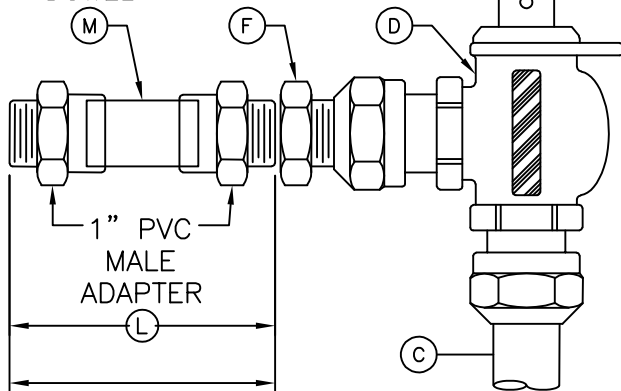
NBU
RESPONSIBILITY



WATER SERVICE TAP PLAN VIEW



WOODEN
DOWEL



5/8" METER = 7 3/4"
 3/4" METER = 9"
 1" METER = 11"

WATER SERVICE TAP PROFILE VIEW



NEW BRAUNFELS UTILITIES
WATER SYSTEMS ENGINEERING

DRAWN BY:
A. Willard
 APPROVED BY:
A. Willard

DRAWING DATE:
8/17/21

STANDARD DRAWING:

**STANDARD INSTALLATION DETAIL
 FOR 5/8", 3/4" & 1" METER**

SCALE:
N.T.S.

SHEET:
1 OF 2

DRAWING NO.
202

MATERIALS LIST:

- A. 1" SERVICE CLAMP
- B. 1" CORPORATION STOP
- C. 1" TYPE "K" COPPER WATER SERVICE PIPE
- D. 1" X 1" ANGLE METER STOP
- E. METER BOX AND LID – DFW PLASTICS #DFW1600X.12.1A2 (STANDARD)
METER BOX AND LID – DFW PLASTICS #DFW1219-10-3EA (INCIDENTAL TRAFFIC RATED)

MATERIALS TO BE INSTALLED BY PLUMBER:

- F. BRASS METER BUSHING – SIZE AS REQUIRED TO CONNECT ANGLE METER STOP TO METER. A 1" X 3/4" METER BUSHING IS REQUIRED AT THE ANGLE STOP FOR FOR ALL 5/8" AND 3/4" METERS.
- G. WATER METER PURCHASED FROM NBU
- H. BRASS WATER METER COUPLING MALE IPT x SWIVEL COUPLING NUT
- I. SINGLE CHECK BACKFLOW DEVICE
- J. PROPERTY OWNER'S CUT OFF VALVE – 1" BRASS GATE VALVE
- K. PROPERTY OWNER'S CUT OFF VALVE BOX AND LID – NDS #D109-G
- L. TEMPORARY METER SPACER (REQUIRED TO ASSURE METER WILL FIT APPROPRIATELY)
- M. 1" WOODEN DOWEL (SHOW ADDRESS ON DOWEL USING WATERPROOF MARKER)
- N. 1" PIPE MEETING CITY OF NEW BRAUNFELS PLUMBING CODE REQUIREMENTS

NOTES:

- 1. SERVICE PIPE SHALL BE COPPER TUBE SIZE. IT SHALL BE ANNEALED SEAMLESS TYPE "K" COPPER TUBING MEETING THE CURRENT ASTM B88 STANDARD WITH NO SWEAT OR SOLDERED JOINTS AND PLACED IN A STRAIGHT HORIZONTAL ALIGNMENT AND ALLOWED TO RELAX AND "SNAKE" LOOSELY IN THE TRENCH.
- 2. SERVICE SADDLE SHALL BE WRAPPED COMPLETELY WITH 8 MIL POLYETHYLENE FILM.
- 3. TOP OF BOXES SHOULD BE 2" ABOVE GROUND OR FLUSH WITH PAVEMENT SURFACE.
- 4. PIPING AND TUBING IN STREET RIGHT-OF-WAY SHALL BE BEDDED IN GRANULAR MATERIALS AS REQUIRED BY THE SPECIFICATIONS; BACKFILL ABOVE GRANULAR BEDDING AS REQUIRED BY SPECIFICATIONS.
- 5. BOX CONSISTENTLY SPACED 6"-12" BEHIND CURB OR 6" FROM PROPERTY LINE AND OUT OF VEHICULAR TRAFFIC AREA.
- 6. ANGLE STOP PLACED A MAXIMUM OF 4" FROM BACK OF BOX THAT FACES CURB. TOP OF ANGLE STOP SHOULD BE A MINIMUM OF 10" FROM THE TOP OF METER BOX.
- 7. METER SIZES TO BE SHOWN ON PLANS.
- 8. METER BOX CUT OUTS SHALL NOT EXCEED TWO TIMES THE PIPE DIAMETER.



NEW BRAUNFELS UTILITIES
WATER SYSTEMS ENGINEERING

DRAWN BY:
A. Willard
APPROVED BY:
A. Willard
DRAWING DATE:
8/17/21

STANDARD DRAWING: **STANDARD INSTALLATION DETAIL
FOR 5/8", 3/4" & 1" METER**

SCALE: N.T.S.	SHEET: 2 OF 2	DRAWING NO. 202
-------------------------	-------------------------	---------------------------