

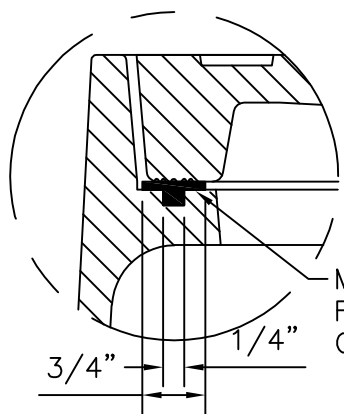
(4) 1/2"-13 X 2"
HEX HEAD BOLTS
AND WASHERS

SURFACE PICK
BAR (TYP)

CROSSHATCH
DESIGN

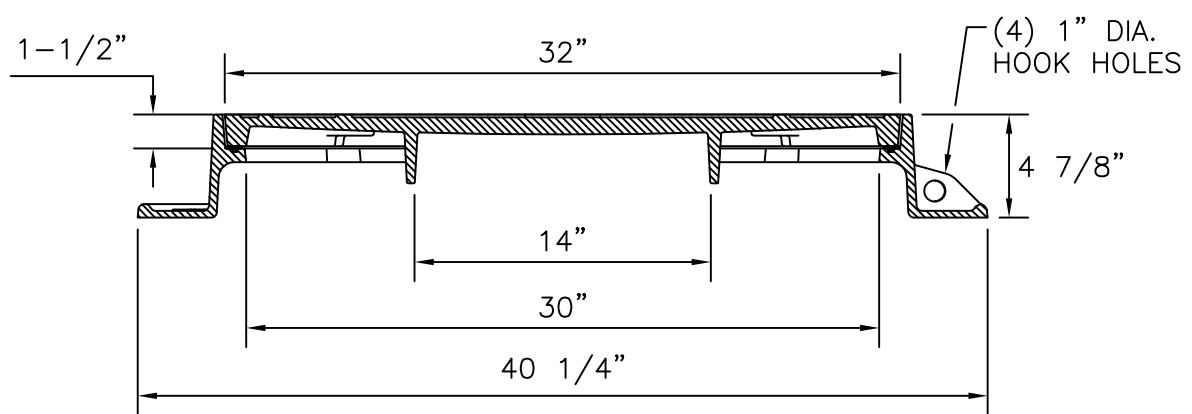
1" MIN. LETTERS
RAISED FLUSH

PLAN VIEW



MACHINE GROOVE IN
FRAME SEAT FOR
OIL-RESISTANT GASKET

GASKET DETAIL



SECTION VIEW

MATERIAL: CAST GRAY IRON ASTM A-48, CLASS 35B



NEW BRAUNFELS UTILITIES
WATER SYSTEMS ENGINEERING

DRAWN BY:
A. Willard
APPROVED BY:
A. Willard
DRAWING DATE:
8/17/21

STANDARD DRAWING:

**SANITARY SEWER
MANHOLE COVER**

SCALE:
N.T.S.

SHEET:
1 OF 1

DRAWING NO.
331