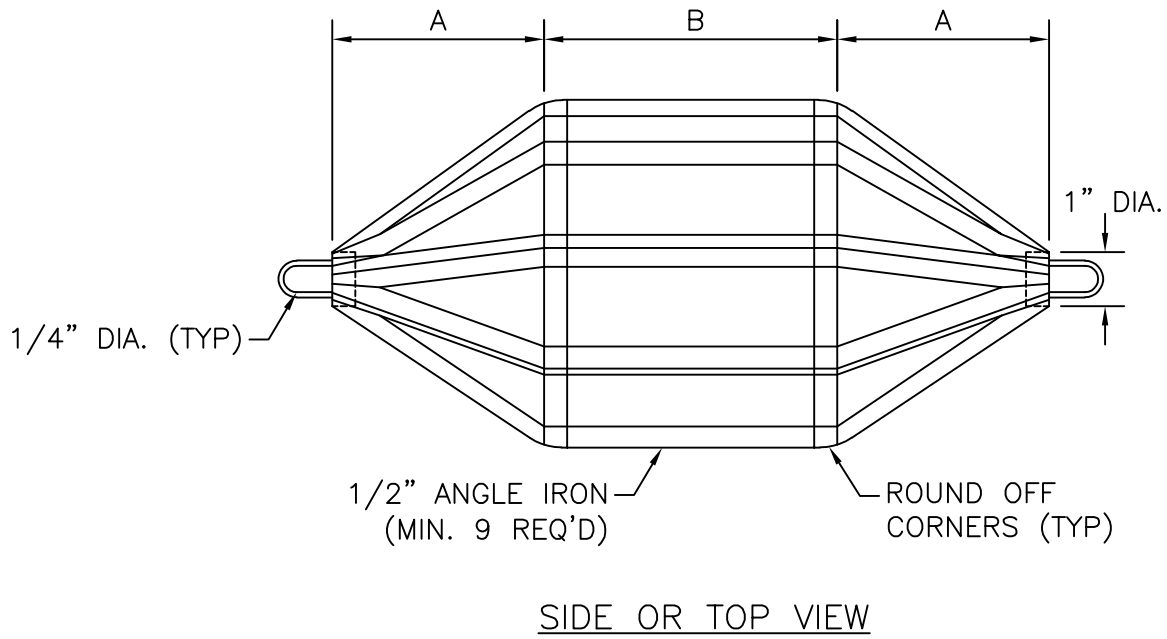


DIMENSIONS
 A - 67% OF PIPE I.D.
 B - 75% OF PIPE I.D.



MANDREL REQUIREMENTS:

1. O.D. NOT LESS THAN 95% OF THE I.D. OF THE PIPE, AS SPECIFIED BY THE ASTM, AWWA, UNI-BELL OR ANSI.
2. ABLE TO WITHSTAND 200 PSI WITHOUT BEING DEFORMED.
3. ODD NUMBER OF RUNNERS OR LEGS.

*THIS INFORMATION IS PROVIDED AS A REFERENCE. ALL DEFLECTION TESTING SHALL BE DONE IN ACCORDANCE WITH TCEQ CHAPTER 217.



NEW BRAUNFELS UTILITIES
WATER SYSTEMS ENGINEERING

DRAWN BY:
A. Willard
 APPROVED BY:
A. Willard
 DRAWING DATE:
8/17/21

STANDARD DRAWING:

**GO, NO GO DEFLECTION
TESTING MANDREL**

SCALE:
N.T.S.

SHEET:
1 OF 1

DRAWING NO.
350