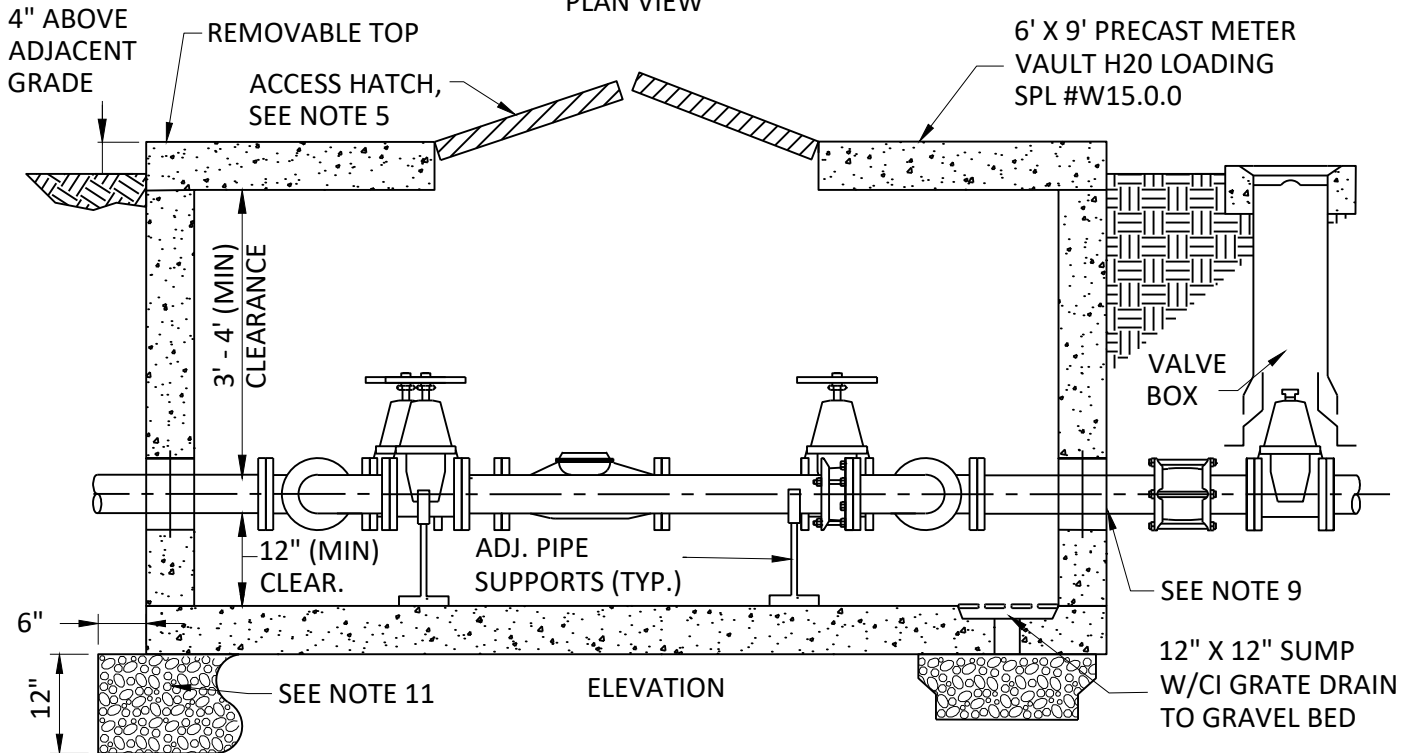


PLAN VIEW



ELEVATION

NO.	NAME	LENGTH
A	OVERALL LENGTH	86"
B	METER + NIPPLE + FCA	40.5"
C	CENTER OF MAINLINE TO CENTER OF BYPASS	15.5"
D	CENTERLINE OF MAINLINE TO INSIDE OF VAULT	42"
E	CENTERLINE OF MAINLINE TO INSIDE OF VAULT	30"