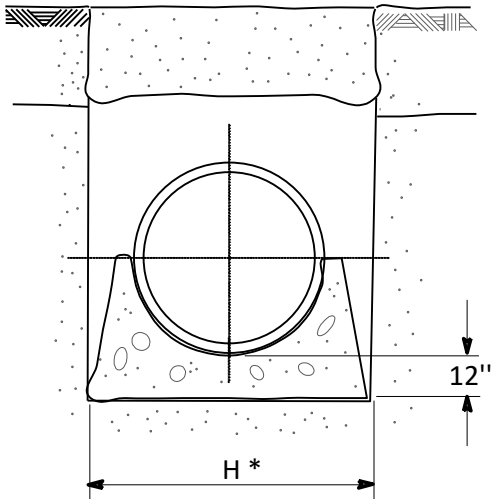
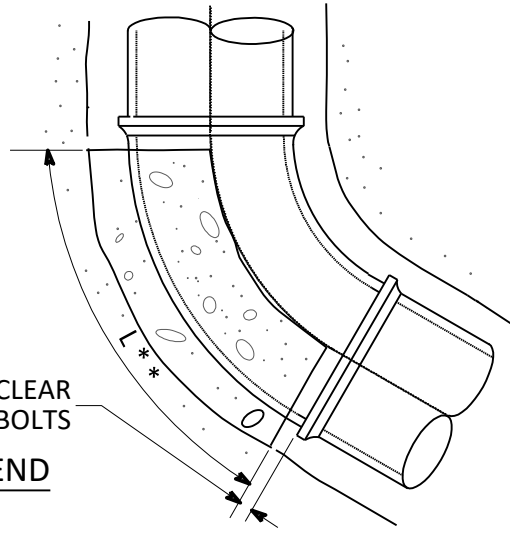
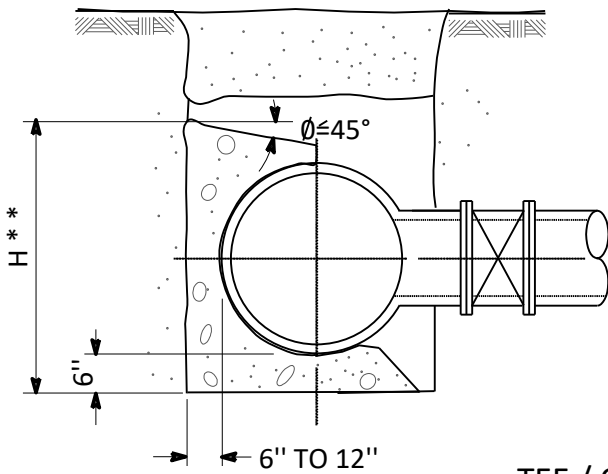
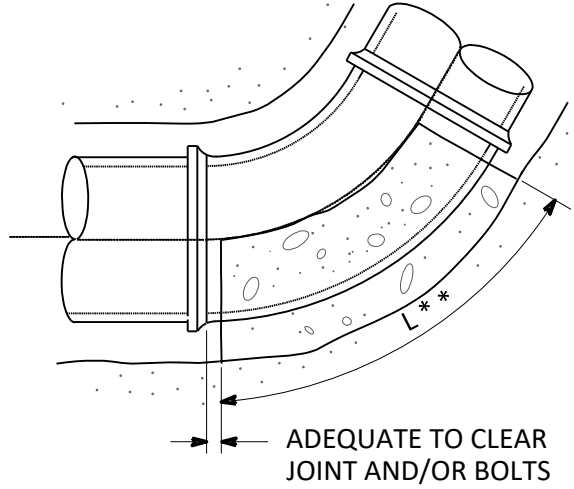


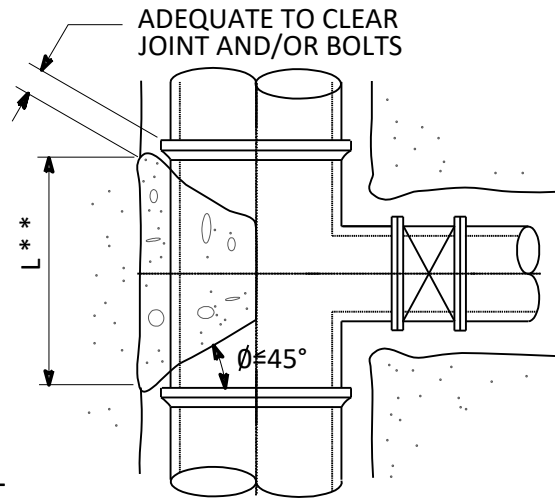
ADEQUATE TO CLEAR  
JOINT AND/OR BOLTS  
HORIZONTAL BEND



VERTICAL BEND UPWARD



TEE / OUTLET



\* THE DIMENSION FOR "H" MUST BE GREATER THAN DIAMETER OF THE PIPE

\*\* LENGTH "L" ALONG THE BEND MUST BE GREATER THAN "H" AND LESS THAN 2 TIMES "H"