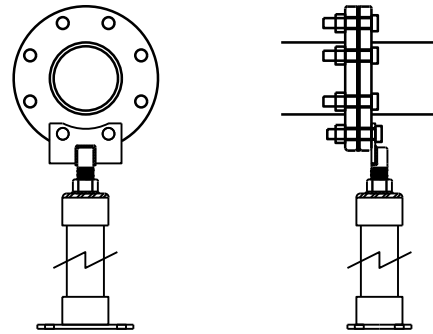
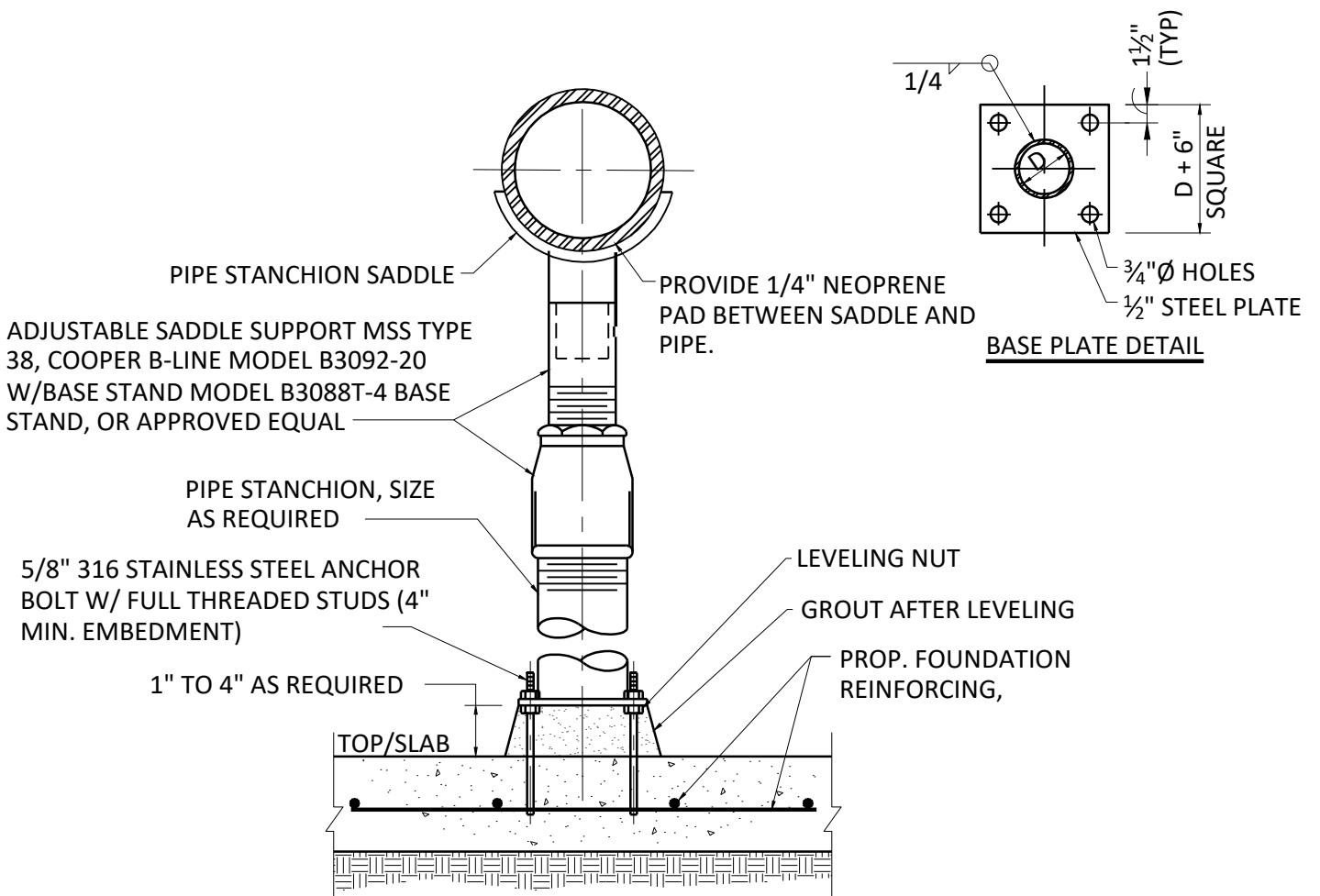


CRADLE FLANGE SUPPORT



BOLTED FLANGE SUPPORT



NOTES:

1. PIPE SUPPORT SHALL BE GALVANIZED STEEL.