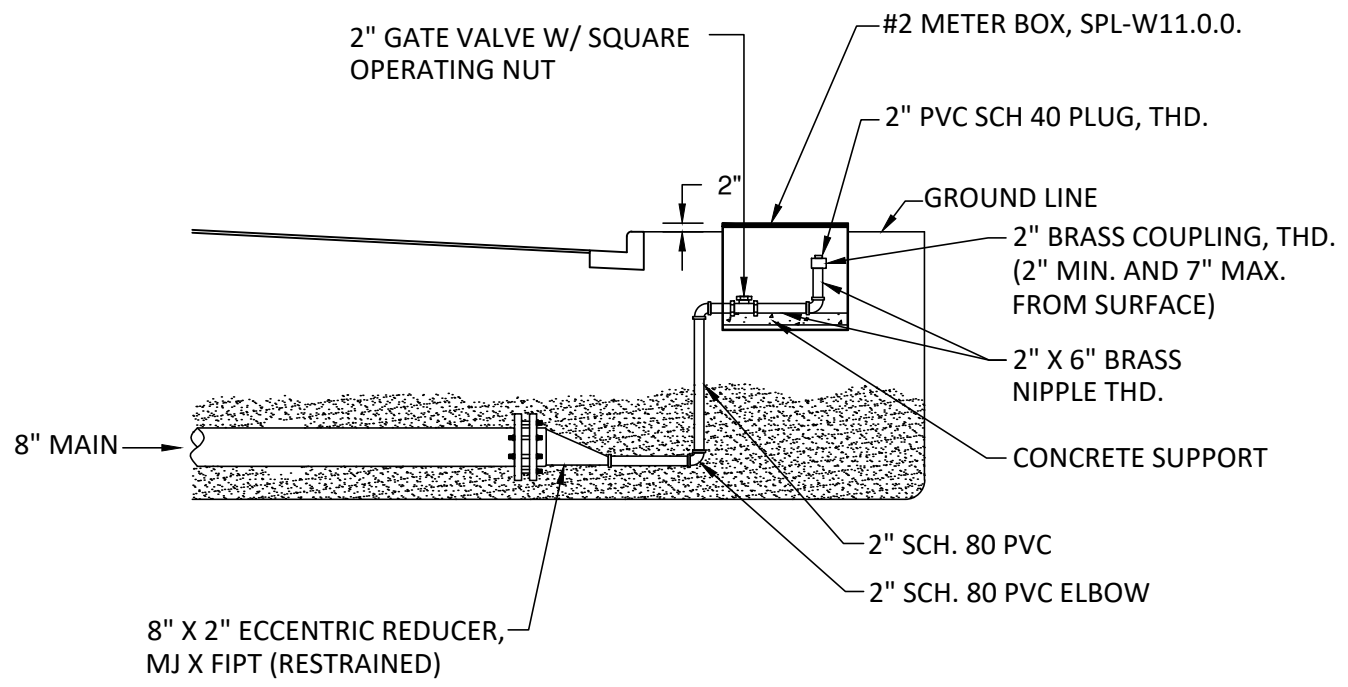


ELEVATION
2" BLOW OFF ASSEMBLY
ON 12" P.V.C. OR D.I. MAINS



ELEVATION
2" BLOW OFF ASSEMBLY
ON 8" P.V.C. OR D.I. MAINS

 NBU NEW BRAUNFELS UTILITIES WATER SYSTEMS ENGINEERING	DRAWN BY: EWL	STANDARD DRAWING:			
	APPROVED BY: A. WILLARD	2" BLOW OFF ASSEMBLY ON 8" & 12" P.V.C. OR D.I. MAINS			
DRAWING DATE: 2/1/24	UPDATED:	SCALE: N.T.S.	SHEET: 1 OF 1	DRAWING NO. 251	