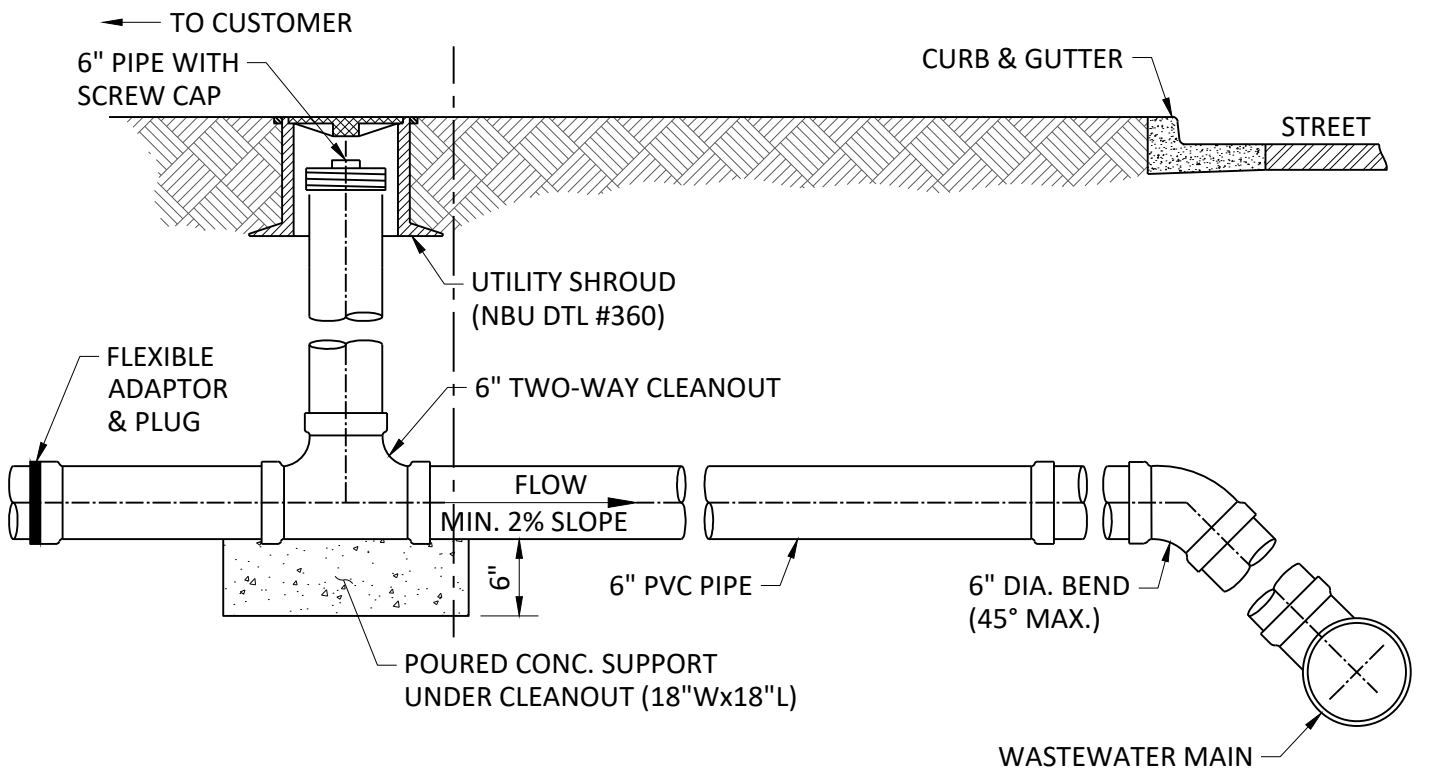


PLAN VIEW



PROFILE VIEW