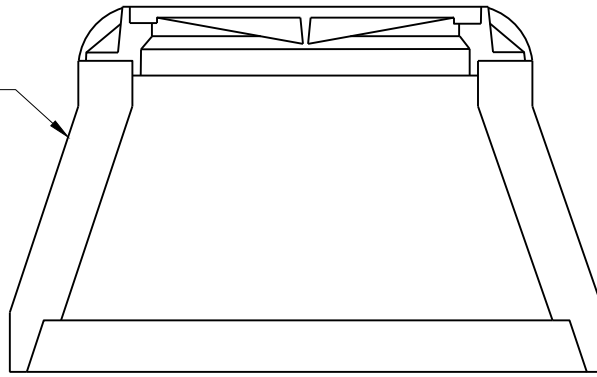


REMOVE AND DISPOSE OF THE CONE SECTION AND LID AS DIRECTED BY THE ENGINEER OR DESIGNATED REPRESENTATIVE



REVEGETATE WITH "SEEDING FOR EROSION CONTROL"

"CASTING ADJUSTMENT" FOR MISCELLANEOUS REPAIRS AROUND MANHOLE

OUTSIDE R.O.W. BACKFILL WITH CLASS C (TOPSOIL) BORROW AND COMPACTED TO 95% DENSITY.

OUTSIDE R.O.W. BACKFILL WITH CLASS B BORROW AND COMPACTED TO 95% DENSITY.

OUTSIDE R.O.W. INSTALL FLOWABLE BACKFILL PER NBU SPEC. 402 MIN. 6" ABOVE TOP OF PIPE, MIN. DEPTH 24"

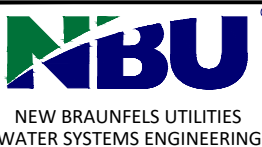
PLUG EXISTING PIPE. SEE NOTE BELOW.

INSIDE R.O.W. BACKFILL WITH FLOWABLE FILL PER NBU SPEC. 404

PLUG EXISTING PIPE. SEE NOTE BELOW.

**NOTE:**

1. THE PLUG SHOULD BE COMPOSED OF A MATERIAL SIMILAR TO THE EXISTING PIPE AS INSTRUCTED BY THE ENGINEER OR DESIGNATED REPRESENTATIVE.



DRAWN BY:  
EWL  
APPROVED BY:  
A. WILLARD  
DRAWING DATE:  
2/1/24

STANDARD DRAWING:

**ABANDONED MANHOLE**

UPDATED:

SCALE:

N.T.S.

SHEET:

1 OF 1

DRAWING NO.

340