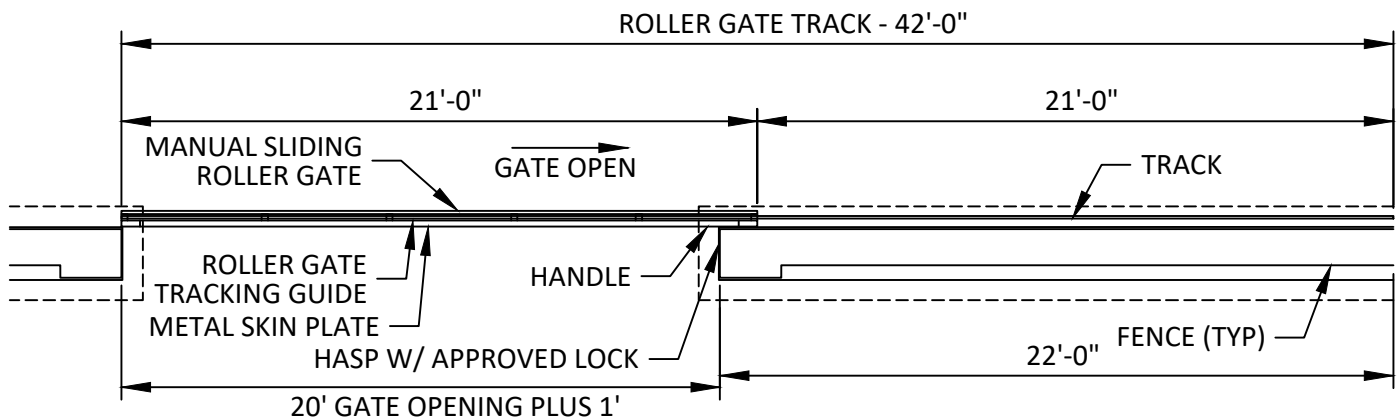
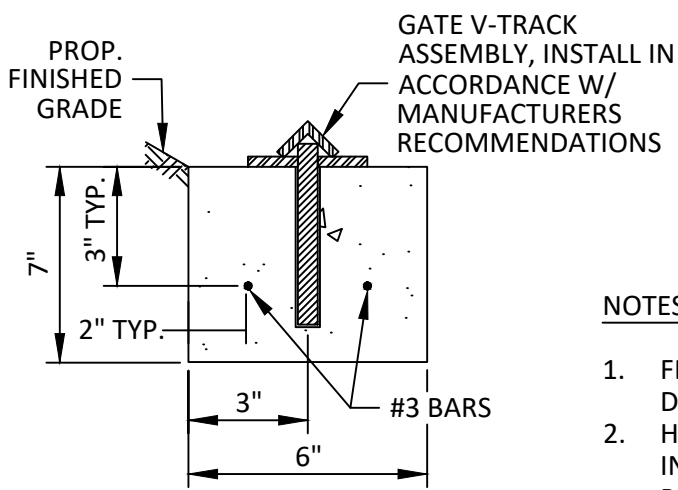


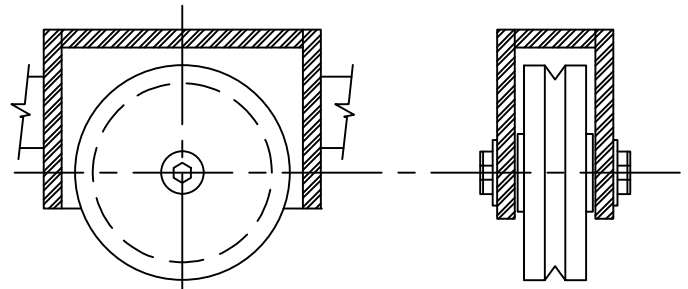
TYPICAL GATE ELEVATION



TYPICAL GATE PLAN



GATE RETRACK



GATE WHEEL DETAIL

NOTES:

1. FENCE CONTRACTOR SHALL BE RESPONSIBLE FOR SIZING AND DESIGN OF GATE TO INSURE PROPER OPERATION.
2. HORIZONTAL ROLLER GATE SHALL HAVE GATE TRACK SECURELY INSTALLED TO CONCRETE PAVEMENT AND TO CONCRETE GATE RETRACK.
3. GATE TO BE DESIGNED BY CONTRACTOR AND SUBMITTED TO ENGINEER FOR APPROVAL AS SHOP DRAWING.
4. GATE TO BE COATED PER NBU STANDARD SPECIFICATION 530.